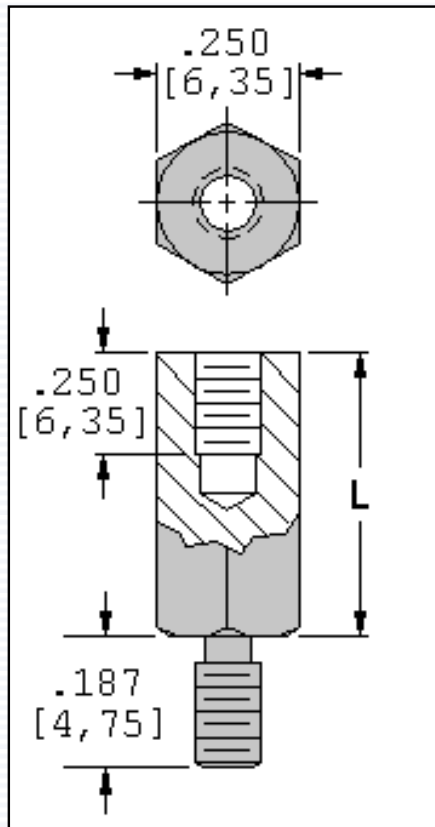


[PRODUCTS](#)
[CUSTOM CAPABILITIES](#)
[PART BUILDER](#)
[GLOBAL DISTRIBUTION](#)
[ORDER ONLINE](#)

# .250 [6,35] Hex Male/Female Standoffs

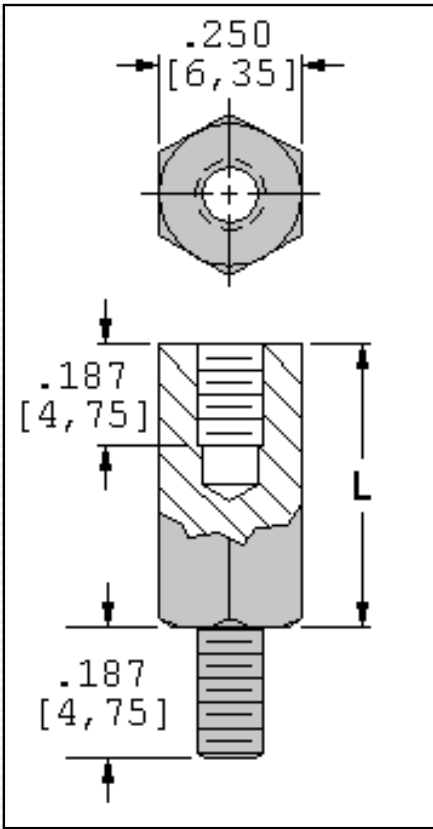
4-40 Threads - Stainless • Brass • Aluminum



4-40 Threaded Standoffs			
Length "L"	Stainless Steel	Brass Nickel Plate	Aluminum Clear Iridite
Inches [mm]	Cat. No.	Cat. No.	Cat. No.
† .250 [6,35]	<b>8712</b>	<b>8713</b>	<b>8714</b>
.375 [9,53]	<b>2087</b>	<b>7200</b>	<b>8400</b>
.500 [12,70]	<b>2088</b>	<b>1944</b>	<b>8401</b>
.625 [15,87]	<b>2089</b>	<b>1945</b>	<b>8402</b>
.750 [19,05]	<b>2090</b>	<b>1946</b>	<b>8403</b>
.875 [22,23]	<b>2091</b>	<b>7201</b>	<b>8404</b>
1.000 [25,40]	<b>2092</b>	<b>1947</b>	<b>8405</b>
1.125 [28,58]	<b>2093</b>	<b>7202</b>	<b>8406</b>
1.250 [31,75]	<b>2094</b>	<b>1948</b>	<b>8407</b>
1.375 [34,93]	<b>2095</b>	<b>1949</b>	<b>8408</b>
1.500 [38,10]	<b>2096</b>	<b>1950</b>	<b>8409</b>
1.625 [41,28]	<b>2097</b>	<b>7203</b>	<b>8410</b>
1.750 [44,45]	<b>2098</b>	<b>7205</b>	<b>8411</b>
2.000 [50,80]	<b>2099</b>	<b>1951</b>	<b>8412</b>
† .140 [3,56] Internal Thread Depth			

[Click to Request Samples](#)
[VIEW PRODUCT OVERVIEW](#)

4-40 Threads - Nylon



4-40 Threaded Standoffs	
Nylon	Length "L"
Cat. No.	Inches [mm]
4800	.250 [6,35]
4801	.375 [9,53]
4802	.500 [12,70]
4803	.625 [15,87]
4804	.750 [19,05]
4805	.875 [22,23]
4806	1.000 [25,40]
4807	1.125 [28,58]
4808	1.250 [31,75]
4809	1.375 [34,93]
4810	1.500 [38,10]
4811	1.625 [41,28]
4812	1.750 [44,45]
4813	2.000 [50,80]

[Click to Request Samples](#)

[VIEW PRODUCT OVERVIEW](#)